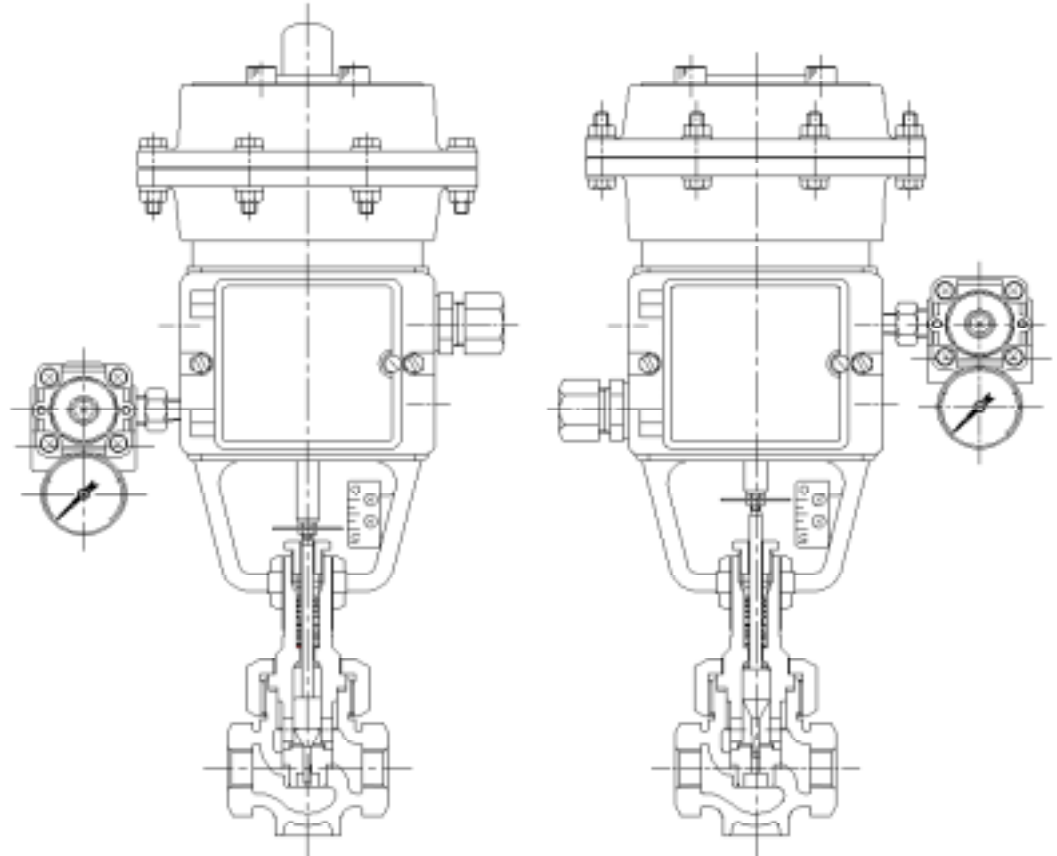


<b>General Specifications</b>	<b>Low Flow Control Valve “CHIBI-CON”</b>	<b>T-8020</b>
-------------------------------	---	---------------

T-8020 Low Flow Control Valve “CHIBI-CON”



Air to OPEN (RA)

Air to CLOSE (DA)

### Feature

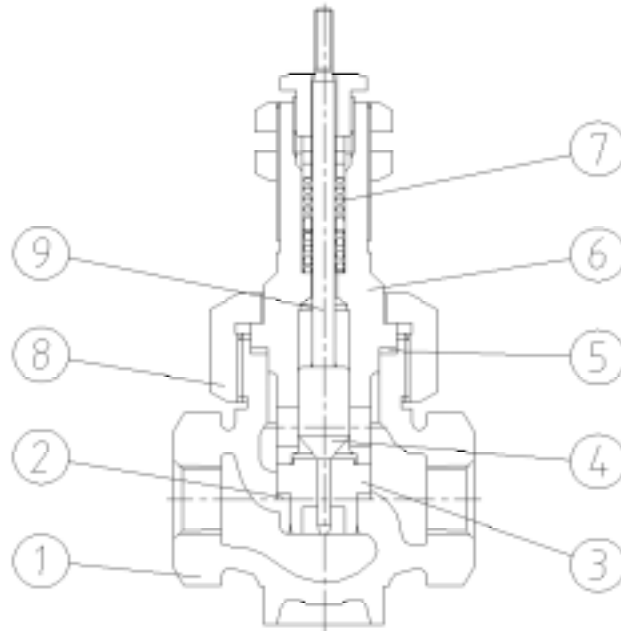
- T-8020 “CHIBI-CON” series is a special design to control low flow quantity. It is an advanced design, and it is very small and a light adjustment valve. As for operation, the flow rate control of the certainty and high accuracy is possible.

### 1. Standard Specifications

**Table 1 Standard specification**

Model number	T-8020
Model name	Glove type single seated control valve
End connection standard	JIS10K Threaded ends(Rc,NTP)
Nominal size	8 ~ 15
Rated Cv value	0.0001 ~ 2.0
Body / Bonnet materials	SCS14A
Trim materials	SUS316 , Plyimide
Flow Characteristics	Equal Percentage , Linear
Allowable seat leakage volume	ANSI CLASS (0.01Cv)

2. Structure



**Fig. 1 Structure**

**Table 2 Standard Parts Materials**

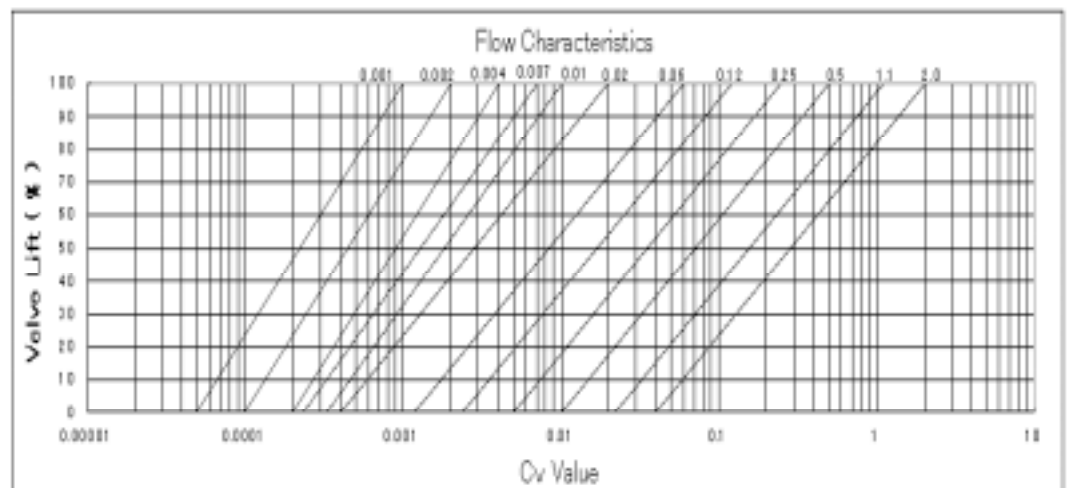
No.	Parts Name	Standard Materials	No.	Parts Name	Standard Materials
1	Body	SCS14A	6	Bonnet	SUS316
2	Gasket	PTFE,PTCFE	7	Gland Packings	V-PTFE
3	Seat Ring	SUS316	8	Cap	SUS304
4	Valve Plug	SUS316	9	Valve Stem	SUS316
5	Gasket	PTFE,PTCFE			

3. Rated Cv Value and Flow Characteristics

**Table 3 Rated Cv Value**

Port Size	10	7	5	4				3		2		
Cv Value	2	1.1	0.5	0.25	0.12	0.06	0.02	0.01	0.007	0.004	0.002	0.001
Rangeability	50:1						30:1			20:1		
Sphere of control	Range of liquid											
	Range of gas											

**Table 4 Flow Characteristics**



4. Standard Specifications of drive part

**[T-5000-series multi-spring diaphragm actuator]**

Model Name	: Multi springs type diaphragm actuator T-5000 series
Model Number	: T-57 , T-58 , T-59 , T-50
Action	: Direct action(DA),Reverse action(RA)
Diaphragm Case Materials	: Aluminum casting product (alumite processing)
Diaphragm Materials	: CR rubber with base fabric
Yoke Materials	: FC200
Actuator Air Pressure	: See Table 6
Daedline Pressure	: See Table 6
Ambient Temperature	: -30 ~ 60
Coating Color	: Yellow (Munsell 2.5Y 8/13)
Air Piping Connection	: Rc1/4

5. OPTION

**[Valve Body]**

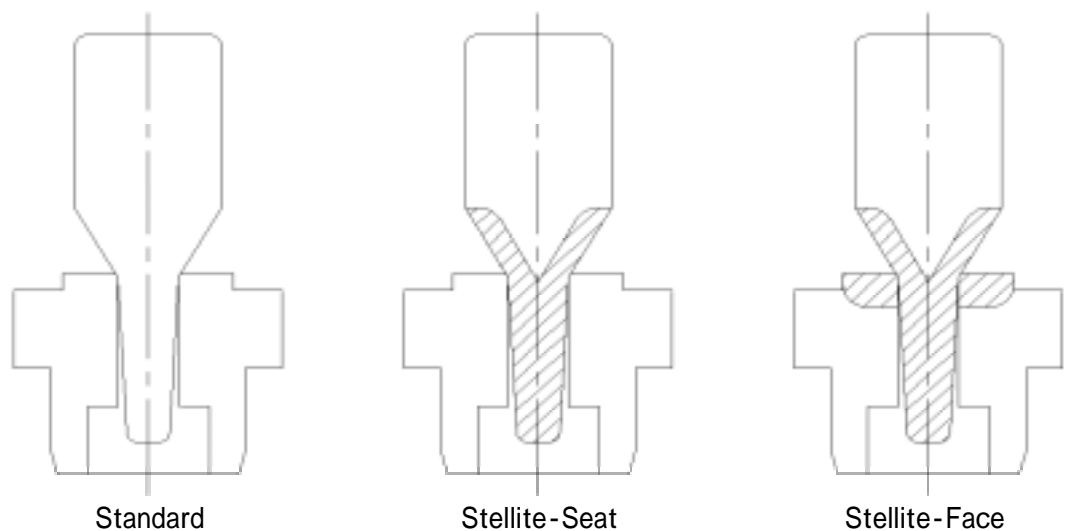
Body (Bonnet ) Materials	: HastelloyR,SCS16A,TB340,
Valve Plug Additional Specification	: See Fig. 2 , 3(about stellite) , on-off , PCTFE Disk
Gland Structure	: See Fig. 4
End Connection	: SW , BW , Short Tube , RF , FF , Swage Lock etc...

**[Yoke]**

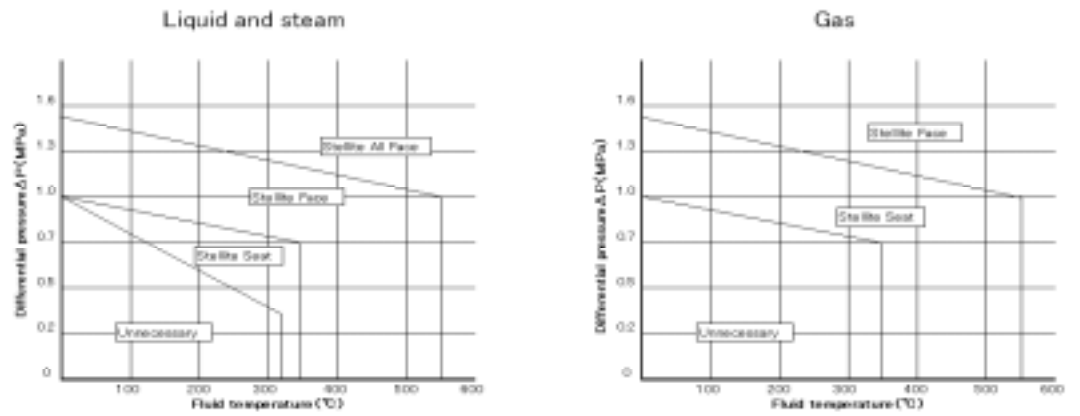
Yoke Materials	: SCPH2,SCS13A
----------------	----------------

**[Actuator]**

Manual Hand Wheel	: Top Hand Wheel
Coating Color	: Each color We might be impossible.
Mechanical Stopper	: Maximum/Minimum Stopper
Urgent Exhaust Function	: In specified time We might be impossible.

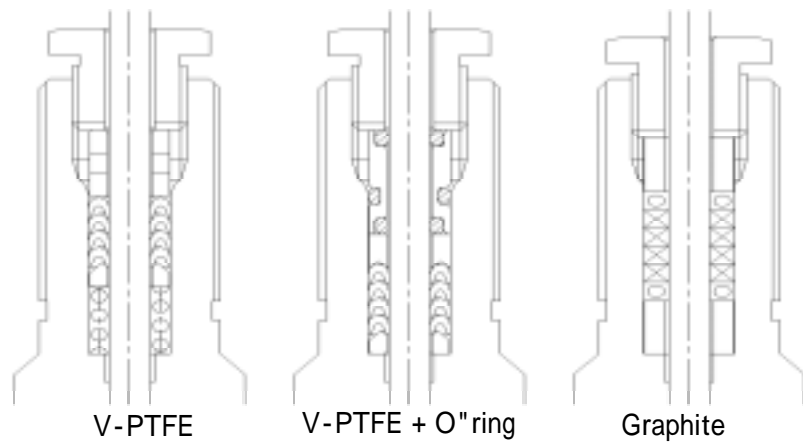


**Fig.·2 Valve plug addition detailed specification**



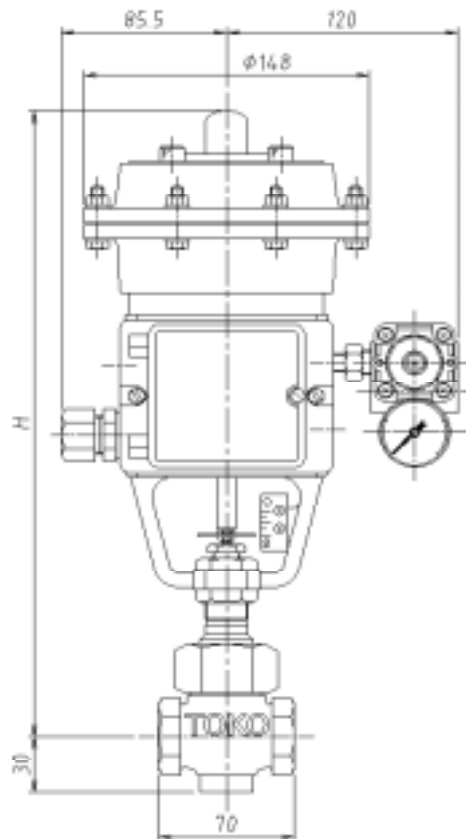
**Fig. 3 Relation between differential pressure and temperature that needs stellite stiffening processing**

**6. Gland Structure**



**Fig. 4 Gland Structure**

**7. Size**



**Fig. 5 Size**

**Table 5 H size**

Various Bonnets	Action	
	Air to OPEN (RA)	Air to CLOSE (DA)
Standard	316	335
Cooling Fin	355	374
Extension	411	430
Long-Extension	461	480

8. Deadline Pressure

Table 6 Deadline Pressure

Model	SP Type	Stroke	Spring-Range	SUP.	Port Size		
					5A	7A	10A
T-	5773	13	50-110	140	15.67	8.00	3.92
	5773	13	100-190	250	-	-	7.84

The supplied instrumentation air must use dry cleanly and enough air for instrumentation.

We might change a part of the specification and externals without the refusal for the demand and the quality improvement.

TOKO VALEX CO.,LTD.

Headoffice and fac. : 4-2-17,MATSUSHIMA,EDOGAWA-KU,TOKYO 132-0031,JAPAN / TEL +81-3-3655-3171 FAX +81-3-3655-5166

Sales Headquarters : 4-2-17,MATSUSHIMA,EDOGAWA-KU,TOKYO 132-0031,JAPAN / TEL +81-3-3655-3171 FAX +81-3-3655-5166

Osaka branch : 1-12-3,NAKATSU,KITA-KU,OOSAKA-SHI,OOSAKA 531-0071,JAPAN / TEL +81-6-6372-0118 FAX +81-6-6375-0340

Fukushima fac. : 93-239,SAINOKAMI,AZA,TONO-MACHI,IWAKI-CITY,FUKUSHIMA 972-0162,JAPAN / TEL +81-2-4689-3326 FAX +81-2-4689-2775